



Model

CENTRO 315 W1 - CENTRIFUGAL FAN

Description

315mm inline centrifugal duct fan, 1.2m power cord

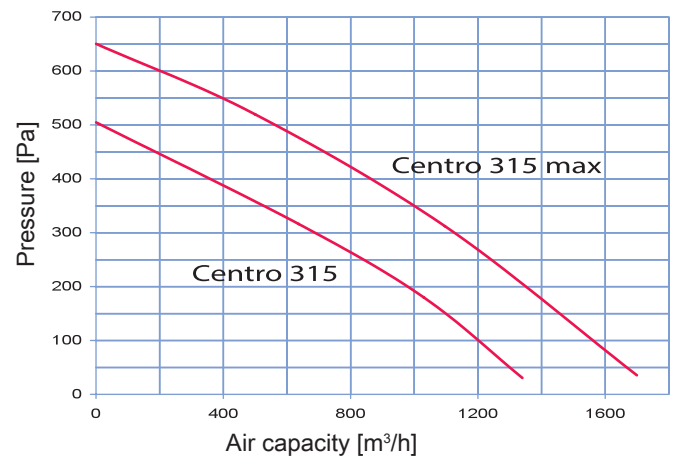
Application

Kitchens / Commercial / Apartments / Carparks / Industrial

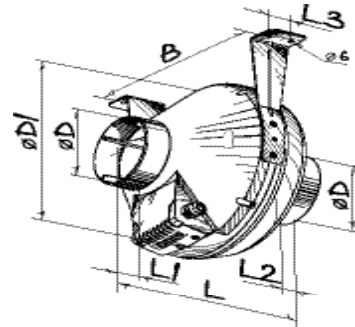
Technical specification

Voltage [V/50 Hz]	220-240 AC
Power [W]	200
Current [A]	0.88
Extract capacity [m ³ /h]	1340
Noise level 3m [dBA]	50
r.p.m.	2655
Installation type	Inline duct
Installation position	Any
DN (diameter nominal) [mm]	315
Air flow temperature [°C]	-25 - +50
Index of protection	IP X4
Internal thermal protection	Manual reset
Colour	Blauberg grey
Casing material	ABS plastic
Warranty	5 years

Characteristic curve



Dimensions [mm]



Type	Dimensions [mm]				
	d	d1	l	b	l1, 2, 3
Centro 315 W1	315	400	276	414	40

Sound power levels

Sound pressure level	Octave-frequency band [Hz]								
	Gen	63	125	250	500	1000	2000	4000	8000
L _{wA} to inlet, dBA	72	35	50	61	66	64	64	60	55
L _{wA} to outlet, dBA	71	40	57	68	71	65	63	57	57
L _{wA} to environment, dBA	58	38	51	56	53	44	51	50	49

Ventilation Solutions Australia (VSA) is not responsible for mistakes or printing errors and retain the right to make technical modifications without giving prior notice.

Email: info@ventilationsolutions.com.au

Phone: 1300 998 326

