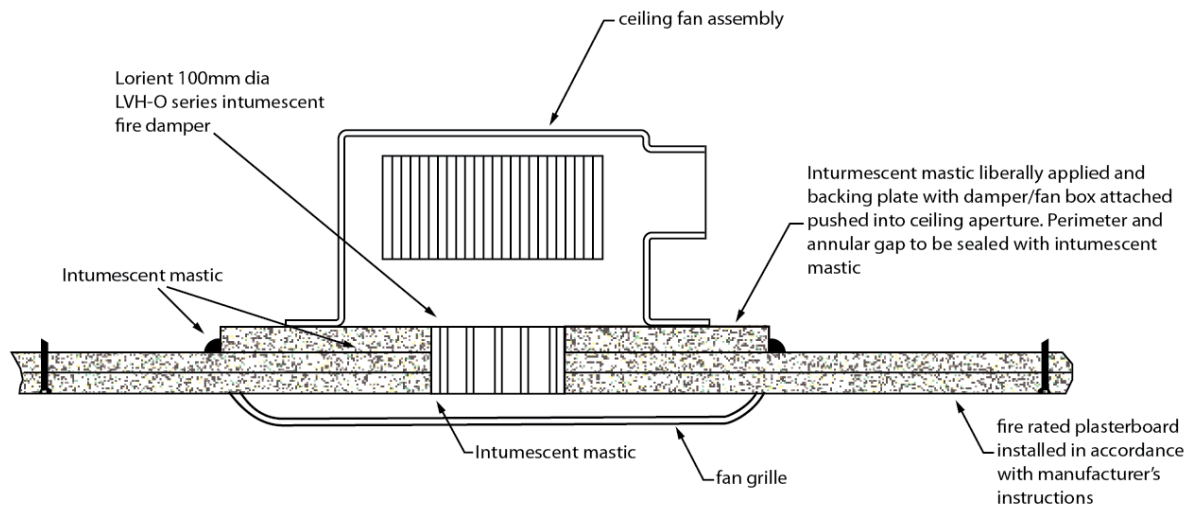


# Airware®

## AW908FIRE Ducted Ceiling Fans

### Installation Instructions

To ensure compliance with fire test approvals, the Airware AW908FIRE ducted ceiling fan must be installed according to these instructions:



1. Mark out the size and location of the damper cut-out. The cut-out hole should be 10mm larger (dia. 110mm) than the diameter of the damper. The Lorient Intumescent Mastic will fill any gap.
2. Make the hole in the ceiling and check that the backing plate sits flush with the ceiling's upper surface and the damper flush with the ceiling's underside (see diagram).
3. Remove the AW908FIRE and liberally apply Lorient Intumescent Mastic to the backing plate and the outside of the damper.
4. From above, insert the damper into the cut-out hole and seal the perimeter and annular gap of the backing board with Lorient Intumescent Mastic.
5. Attach ducting to the spigot and the grille mount and grille to the underside of the ceiling as required.
6. Ensure that convenient access is provided for visual inspection and cleaning as necessary.
7. Ensure that product and certification labels are in a prominent position for easy identification during subsequent maintenance routines.

When installed in accordance with these instructions, the Airware AW908FIRE is compliant with the requirements of BCA C3.15.