

WALL & PEDESTAL FANS



REV301MG



REV303MG



REVWF18

■ REV301MG & 303MG Features:

- ❑ Self-Lubricating 175 watt motor
- ❑ 3 speed settings
- ❑ Adjustable angles of 15° downward and 60° upwards
- ❑ Wide sweep oscillation
- ❑ Low noise level
- ❑ Positive Locking Safety Grille
- ❑ Fitted with 3 metre flexible cord and plug
- ❑ Cast aluminium reinforced blade
- ❑ Wall fan is easily fitted to the wall with mounting kit provided
- ❑ Pedestal fan has adjustable height up to 2.2m with a stable base & non scratch foot pads
- ❑ Weight REV301: 24.20kg
- ❑ Weight REV303: 14.80kg
- ❑ 1 year motor warranty

■ REV201MG & 203MG Features:

- ❑ Motor: Capacitor start self-lubricating 105 watt motor
- ❑ Voltage: 240V 50Hz
- ❑ Speed: 3 speed control
- ❑ Blade: Metallic blade
- ❑ Guard: Epoxy painted with safety locking clips
- ❑ Adjustment: Adjustable angle Pedestal 15° downwards to 45° upwards; Wall mounted 45° downwards to 15° upwards
- ❑ Swivel - Swivel angle from 0° to 90°
- ❑ Pedestal Fan - Full adjustable height to 1.35m
- ❑ Wall Fan - Fixed safety wall mount kit
- ❑ 1 year motor warranty

■ REVWF18 Features:

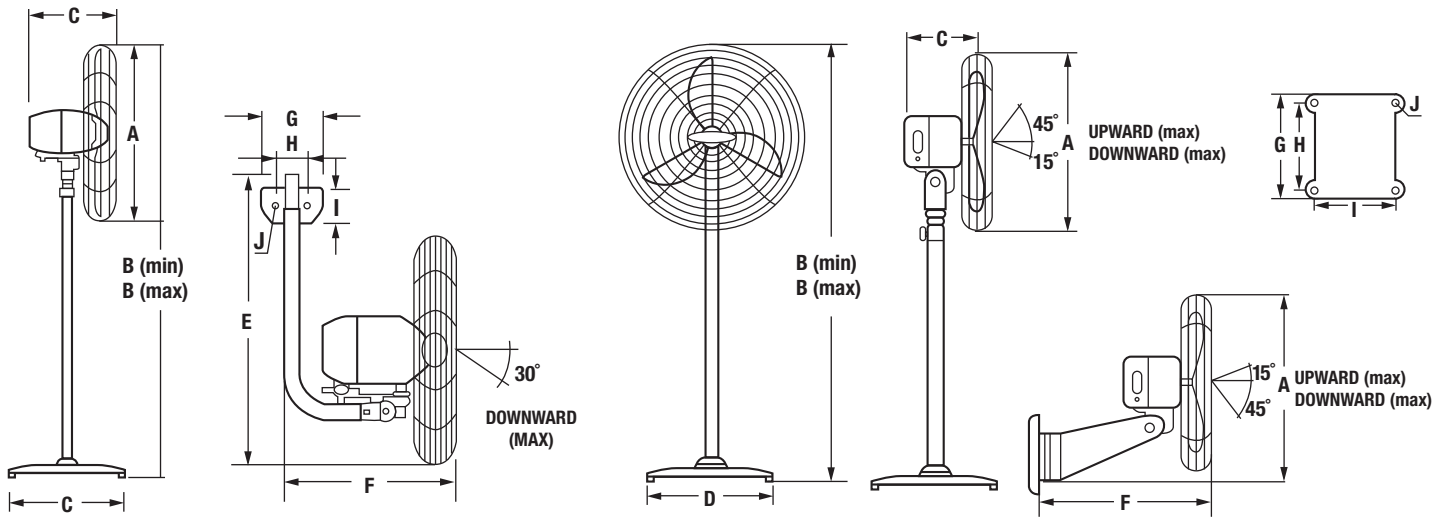
- ❑ Motor - Capacitor start self-lubricating motor
- ❑ Voltage - 220V / 240V 50Hz
- ❑ Speed - 3 speed control
- ❑ Blade - Metallic blade
- ❑ Guard - Epoxy painted guard with safety locking clips
- ❑ Adjustment - Adjustable angle; Pedestal 15° downwards to 45° upwards; Wall mounted 45° downwards to 15° upwards
- ❑ Swivel - Swivel angle from 0° to 90°
- ❑ Pedestal Fan - Full adjustable height to 1.35m
- ❑ Wall Fan - Fixed safety wall mount kit
- ❑ 1 year motor warranty

■ Ordering Information

| Part Number | Size | Pull-cord | 3 Position Switch | Pedestal | Wall |
|-------------|-------|-----------|-------------------|----------|------|
| REV301MG | 635mm | | ● | ● | |
| REV303MG | 635mm | | ● | | ● |
| REV201MG | 458mm | | ● | ● | |
| REV203MG | 458mm | | ● | | ● |
| REVWF18 | 458mm | ● | | | ● |
| REVWF16 | 406mm | ● | | ● | ● |



Overall and installation dimensions



| Model Number | Dimensions mm | | | | | | | | | | |
|--------------|---------------|-------|-------|-----|-----|-----|-----|-----|-----|-----|-----|
| | A | B min | B max | C | D | E | F | G | H | I | J |
| 301MG | 689 | 1710 | 2100 | 369 | 662 | 785 | 445 | 231 | 114 | 115 | n/a |
| 303MG | 689 | 1710 | 2100 | 369 | 662 | 785 | 445 | 231 | 114 | 115 | n/a |
| 201MG | 508 | 1310 | 1960 | 310 | 512 | 558 | 520 | 160 | 130 | 100 | 9 |
| 203MG | 508 | 1310 | 1960 | 310 | 512 | 558 | 520 | 160 | 130 | 100 | 9 |

REV201MG & REV203MG Specifications

| Parameters | Speed Settings | | |
|------------------------------------|----------------|------|------|
| | 1 | 2 | 3 |
| Fan Speed (RPM) | 1050 | 1260 | 1400 |
| Air Delivery (M ³ /Min) | 99 | 104 | 112 |
| Noise Level (Dba) | 52 | 54 | 56 |
| Power Input (Watts) | 85 | 95 | 105 |
| Current Measure (Amps) | 0.39 | 0.42 | 0.50 |

REV301MG & REV303MG Specifications

| Parameters | Speed Settings | | |
|------------------------------------|----------------|------|------|
| | 1 | 2 | 3 |
| Fan speed (RPM) | 1120 | 1280 | 1400 |
| Air Delivery (M ³ /min) | 156 | 178 | 198 |
| Noise Level (Dba) | 54.5 | 58.8 | 68 |
| Power Input (Watts) | 135 | 150 | 175 |
| Current Measure (Amps) | 0.56 | 0.60 | 0.80 |

REVWF16 Specifications

| Parameters | Speed Settings | | |
|------------------------------------|----------------|-------|-------|
| | 1 | 2 | 3 |
| Fan speed (RPM) | 950 | 1100 | 1200 |
| Air Delivery (M ³ /min) | 43 | 46 | 50 |
| Noise Level (Dba) | 60 | 60 | 60 |
| Power Input (Watts) | 36 | 39 | 44 |
| Current Measure (Amps) | 0.161 | 0.173 | 0.189 |

REVWF18 Specifications

| Parameters | Speed Settings | | |
|------------------------------------|----------------|------|------|
| | 1 | 2 | 3 |
| Fan speed (RPM) | 1150 | 1280 | 1400 |
| Air Delivery (M ³ /min) | 100 | 105 | 112 |
| Noise Level (Dba) | 52 | 54 | 56 |
| Power Input (Watts) | 95 | 105 | 115 |
| Current Measure (Amps) | 0.48 | 0.50 | 0.61 |